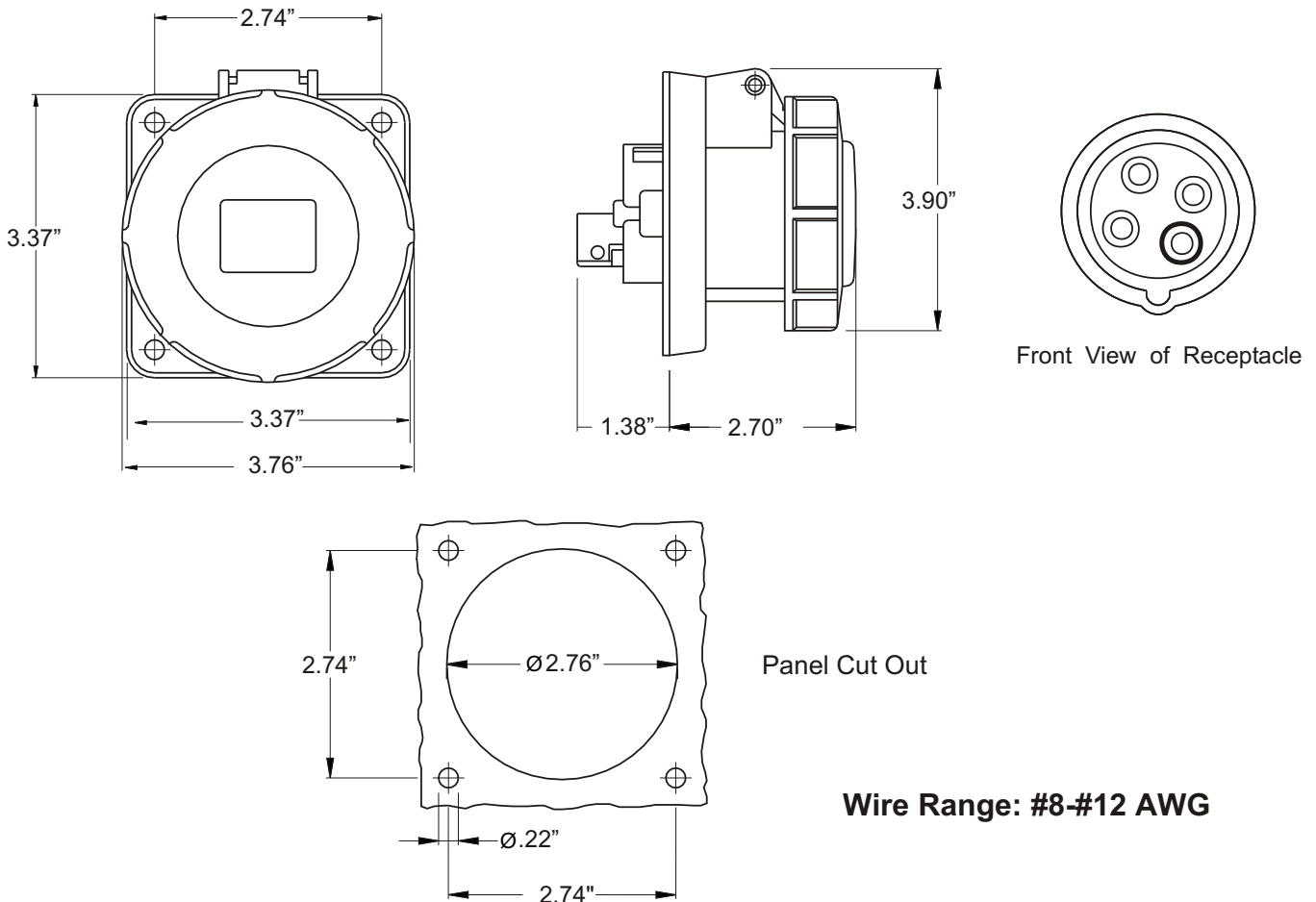


RECEPTACLE, PANEL MOUNTED

Part No.	ME 430R5W
Description:	30 Amp 3 600Vac 3 Pole, 4 Wire Receptacle
Construction:	Watertight IEC IP 67
Approvals:	UL Listed Standards 1682; 1686 CSA Certification to Spec. C22.2 No. 182.1 IEC 60309-1; IEC 60309-2

IEC COLOR CODE: Black

GROUND SOCKET: 5 Hour Position Mates with Male in 7 Hour Position.



Drawing Not to Scale